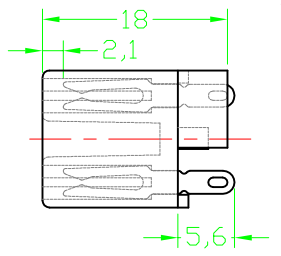
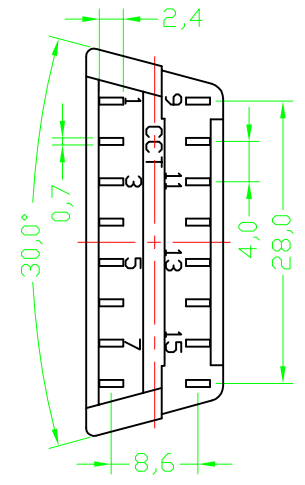
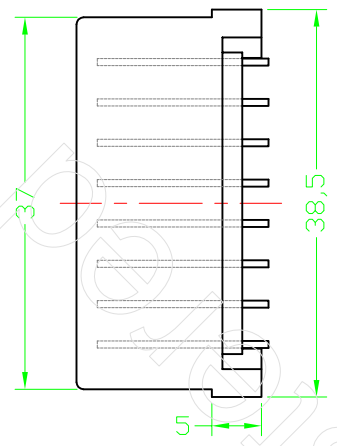
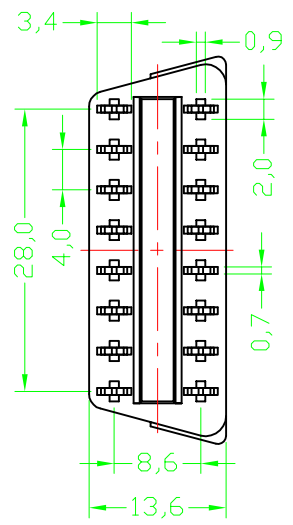


SIDE	DATE	DESCRIPTION	APPROVER
Δ			



Electrical Performance:

1. Dielectric Strength: 1000V AC/1 Minute.
2. Contact resistance: 100m Ω MAX.
3. Insulation Resistance: 500VDC, 100M Ω Min.

Rating and Application Wire:

1. Rated Voltage: 30V MAX
2. Rated current: 5Amps, Wire Insulation Ø.D: Ø1.2~Ø2.6
3. Ambient Temperature Range: -40°C~+85°C

Notes:

1. Housing Material: ABS, 94V-0, Color: Black
2. General Tolerance: ±0.3mm

DESCRIPTION			OBD-II16PIN FEMALE			
DWG.ND.						
AUTHORITY	SIGNATURE	DATE		TOLERANCE UNLESS OTHERWISE SPECIFIED		
DWN.	YANG ZHENG NIU	2005.12.06		LINEAR	.X±0.30 .XX±0.20 .XXX±0.10	
CHK.				ANGLES	±3°	
APVD.			UNIT: mm			
DWG KIND:	CUSTOMER	REV.	A 0	SCALE	1:1	SHEET 1 OF 1